

# SMS PROJECTOR SHORT THROW MOBILE MOTORIZED



Forget about the projector room.

The motor-driven height adjustment and rotatable projector pillar allow the system to pass through doorways easily. Now with a universal fitting that can be used with most currently available interactive boards. A new broader foot makes it easier to get close to the stand. Choose between white and black universal slide to match the projector. Ideal for use anywhere where equipment needs to be moved often.

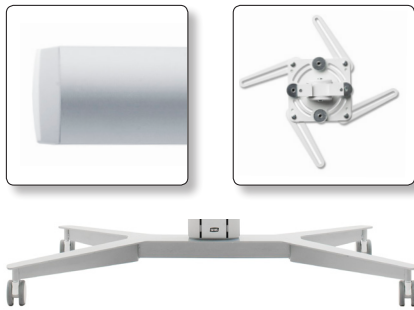
# SMS PROJECTOR SHORT THROW MOBILE MOTORIZED

## INFO

- Finish: White/silver/aluminium/black.
- Maximum board weight: 50 kg
- Maximum projector weight: 8 kg
- Maximum board height: 1250 mm
- Minimum board height: The sum of the vertical projection distance and the board height must be at least 1,150 mm.
- Maximum board width: Unlimited
- Maximum board depth: 100 mm
- Tilt of projector slide:  $\pm 15^\circ$ .
- Adjustable: The main pillar can be electrically adjusted in height to allow the stand to pass through doorways easily. The projector can be suspended at a freely chosen position anywhere on the pillar.

**Other information:** One universal fitting that can be used with most currently available interactive boards – the same fitting is ordered for all brands of board.

We reserve the right to introduce changes in the product specifications.



Now with white plastic fittings, a cable sock to conceal the cables, a universal slide for projectors in white and black and a broader foot.

## ART. NO

AE018010-P0

## DESCRIPTION

Standard package SMS Projector Short Throw Mobile Motorized A/Black

AE018011-P0

Standard package SMS Projector Short Throw Mobile Motorized A/White

## White fittings projector pillar:

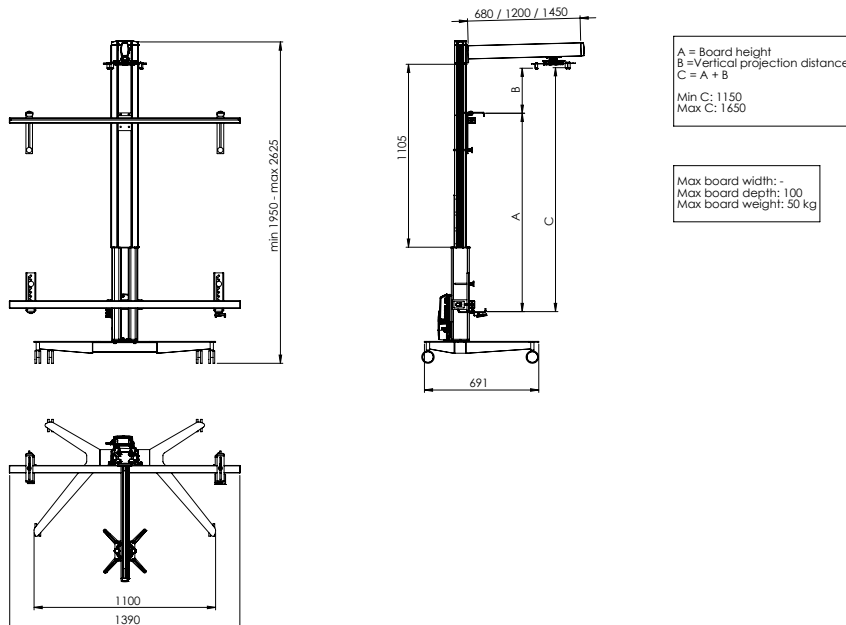
FS000680AW-P2 SMS Proj Short Throw 680 mm A/W  
 FS001202AW-P2 SMS Proj Short Throw 1200 mm A/W  
 FS001450AW-P2 SMS Proj Short Throw 1450 mm A/W

## Black fittings projector pillar:

FS000680-P2 SMS Proj Short Throw 680 mm A/B  
 FS001202-P2 SMS Proj Short Throw 1200 mm A/B  
 FS001450-P2 SMS Proj Short Throw 1450 mm A/B

## Accessories:

PD100001EU SMS X Power Socket EU Black  
 PD100002CH SMS X Power Socket CH Black  
 PD100003UK SMS X Power Socket UK Black  
 PD400001 SMS X Media Box White  
 PD400003 SMS X Media Box Oak  
 PD400004 SMS X Media Box Walnut  
 PD300005-P0 SMS X Shelf White  
 PD300006-P0 SMS X Shelf Oak  
 PD300007-P0 SMS X Shelf Walnut  
 AE018002 SMS X Remote Control Kit



www.SmartMediaSolutions.se