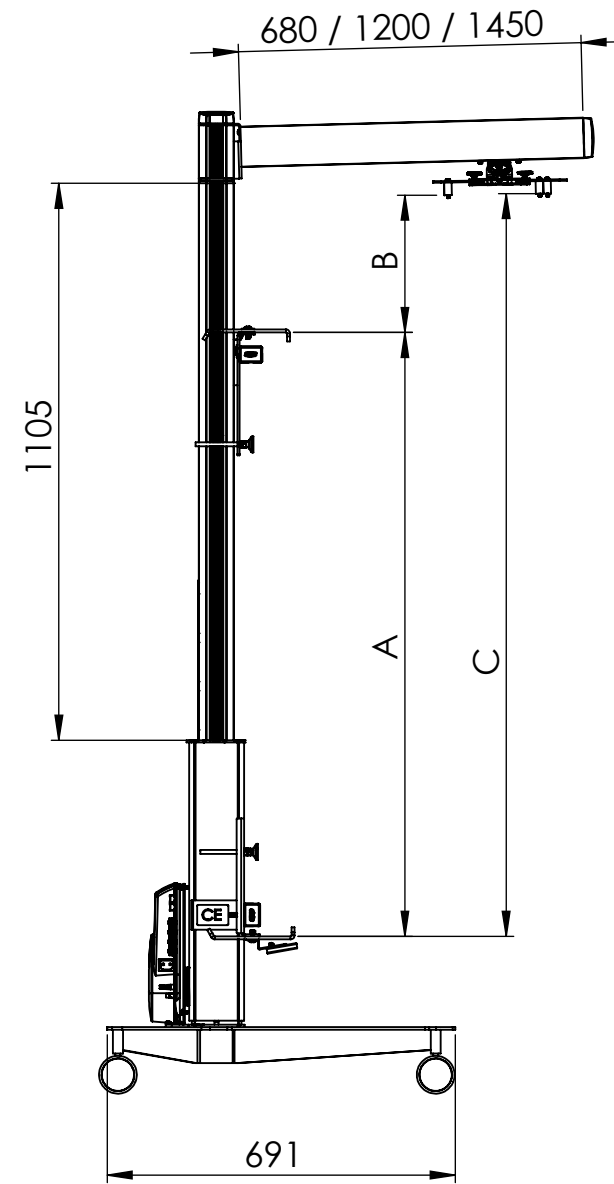
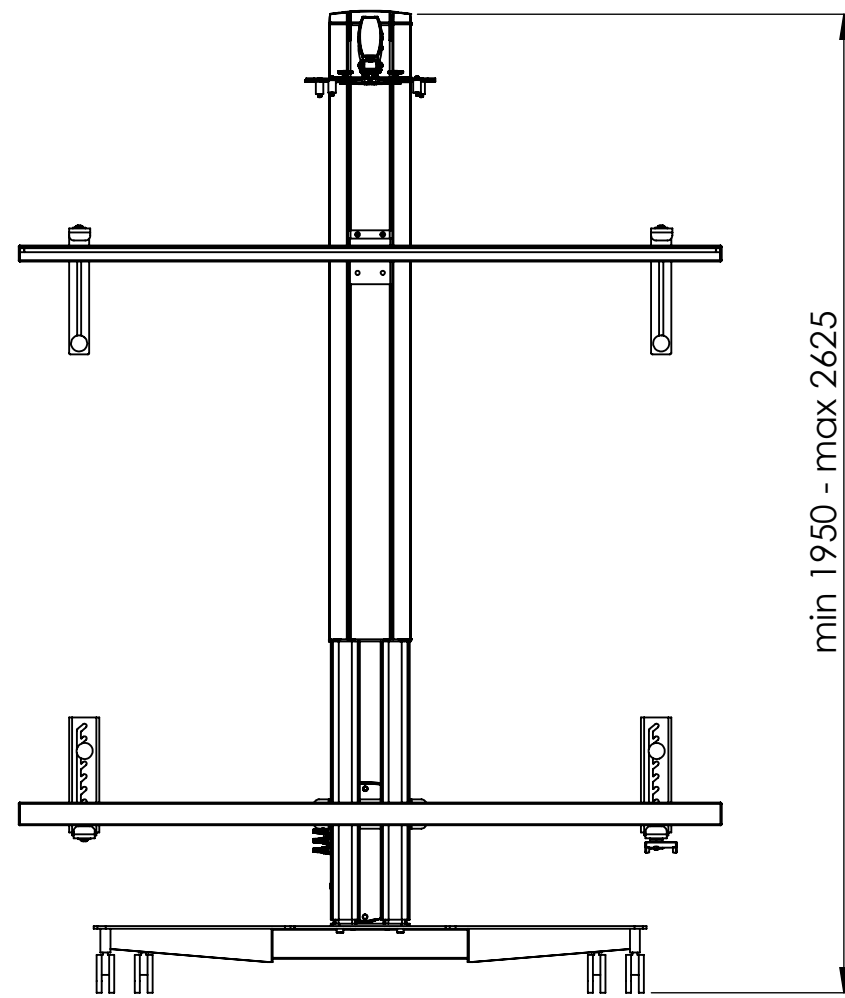


SMS Projector Short Throw Mobile Motorized Dimensions (in mm)



A = Board height
B = Vertical projection distance
C = A + B

Min C: 1150
Max C: 1650

Max board width: -
Max board depth: 100
Max board weight: 50 kg

